

# Range *clear water*

Water pressure booster - Regulation - Anti water hammer

Large vessels with food quality butyl bladder.

MANUFACTURING TO CODAP



## Large vessel

3000 to 70000 L



### PAINT

**Internal.** Epoxy paint without solvent, colour white, thickness 100 microns.  
**External.** Polyurethane lacquer colour orange and anti corrosion polyurethane finishing, thickness 50 microns.



### BLADDER

Interchangeable food quality butyl.



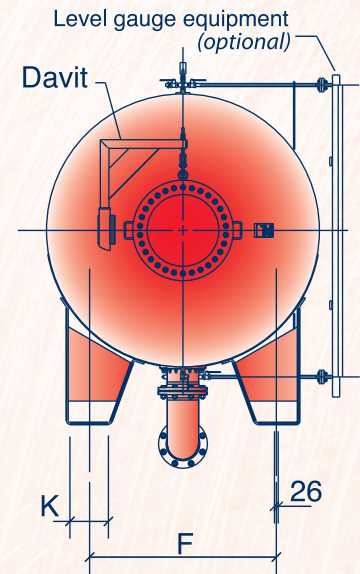
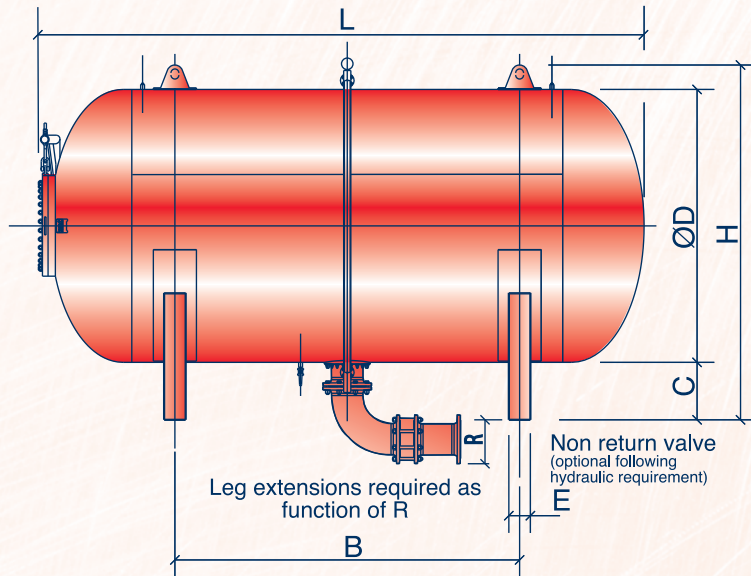
### WARRANTY

Not including parts subject to wear and subject to use under normal conditions.



### PACKING

Without.



Capacity L	Ø D	L	H	Size B (mm)	Size E	Size F	Size K	Size C	Davit
3000	1200	3010	1770	1600	150	900	167	400	No
4000	1200	3800	1770	2400	150	900	167	400	No
5000	1500	3170	2070	1700	150	1200	158	400	No
6000	1500	4024	2070	2200	150	1200	158	400	No
7000	1500	4480	2070	2500	150	1200	158	400	No
8000	1500	4970	2070	3200	150	1200	158	400	No
9000	1500	5470	2070	3700	150	1200	158	400	No
10000	1900	4240	2470	2200	150	1300	268	400	Yes
10000	2100	3550	2670	1600	300	1600	328	400	Yes
12000	1900	4800	2470	3000	150	1300	268	400	Yes
12000	2100	4150	2670	2200	300	1600	328	400	Yes
15000	1900	5920	2470	3700	150	1300	268	400	Yes
15000	2100	4940	2670	3000	300	1600	328	400	Yes
18000	1900	7200	2470	5200	150	1300	268	400	Yes
18000	2100	6000	2670	3900	300	1600	328	400	Yes
20000	1900	7740	2470	5500	150	1300	268	400	Yes
20000	2100	6340	2670	4400	300	1600	328	400	Yes
25000	2100	7800	2670	5500	300	1600	328	400	Yes
25000	2500	5560	3300	3150	500	1900	500	590	Yes
30000	2100	9400	2670	5700	300	1600	300	400	Yes
30000	2500	6840	3300	4200	500	1900	500	590	Yes
35000	2500	7960	3300	5400	500	1900	500	590	Yes
35000	3000	5830	3800	3000	500	1900	500	590	Yes
40000	3000	6430	3800	3600	500	1900	500	590	Yes
50000	3000	7830	3800	5000	500	1900	500	590	Yes
60000	3000	9330	3800	6000	500	1900	500	590	Yes
70000	3000	10830	3800	7500	500	1900	500	590	Yes

Contact us for upper capacities. The dimensions shown are indicative and can be modified without warning.