

Range *clear water*

Water pressure booster - Regulation - Anti water hammer

Large vessels
with food quality
butyl bladder.

MANUFACTURING TO CODAP



Large Vessel

3000 to 35000 L



PAINT

Internal. Epoxy paint without solvent, colour white, thickness 100 microns.

External. Polyurethane lacquer colour orange and anti corrosion polyurethane finishing, thickness 50 microns.



BLADDER

Interchangeable food quality butyl.



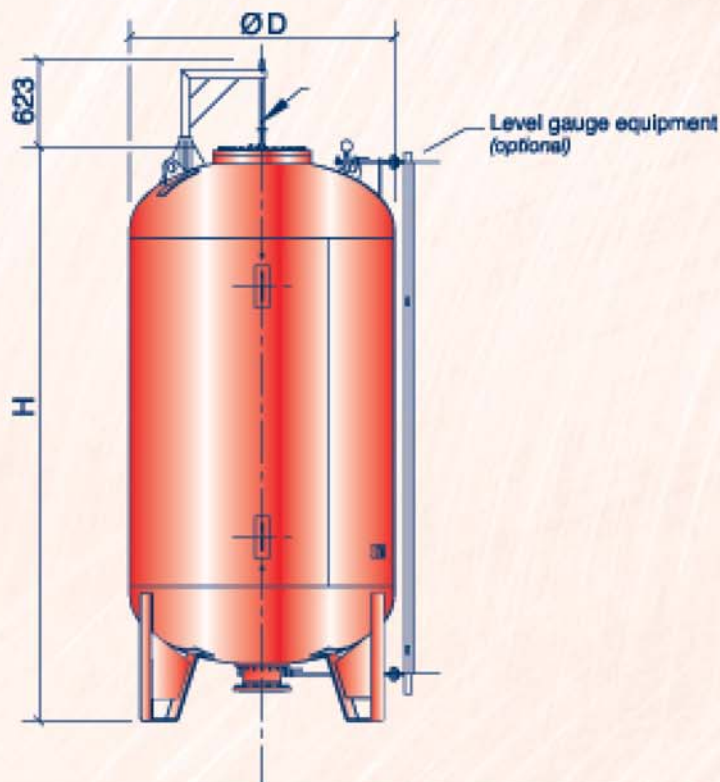
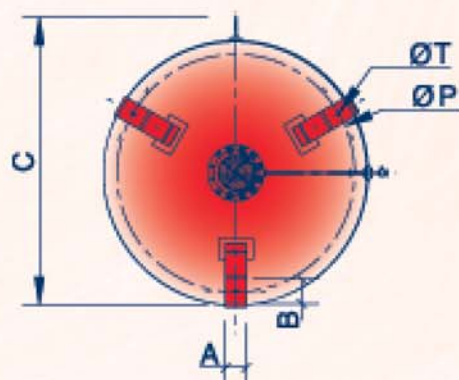
WARRANTY

Not including parts subject to wear and subject to use under normal conditions.



PACKING

Craddles.



Capacity L	Ø D	H	Number of legs	P	T	Size A (mm)	Size B	Size C	Davit
3000	1200	3800	3	1050	26	150	125	1370	No
4000	1200	4100	3	1050	26	150	125	1370	No
5000	1500	3500	3	1300	26	150	178	1670	No
6000	1500	4300	3	1300	26	150	178	1670	No
7000	1500	4800	3	1300	26	150	178	1670	No
8000	1500	5300	3	1300	26	150	178	1670	No
9000	1500	5800	3	1300	26	150	178	1670	No
10000	1900	4900	4	1700	26	150	178	2070	Yes
10000	2100	3800	4	1800	26	150	276	2270	Yes
12000	1900	5600	4	1700	26	150	178	2070	Yes
12000	2100	4400	4	1800	26	150	276	2270	Yes
15000	1900	6300	4	1700	26	150	178	2070	Yes
15000	2100	5300	4	1800	26	150	276	2270	Yes
18000	1900	7800	4	1700	26	300	300	2070	Yes
18000	2100	6100	4	1800	26	300	300	2270	Yes
20000	1900	8600	4	1700	26	300	300	2070	Yes
20000	2100	6700	4	1800	26	300	300	2270	Yes
25000	1900	10400	4	1700	26	300	300	2070	Yes
25000	2100	8200	4	1800	26	300	300	2270	Yes
25000	2500	6000	4	2000	26	500	500	2670	Yes
30000	2100	9700	4	1800	26	300	300	2270	Yes
30000	2500	7200	4	2000	26	500	500	2670	Yes
35000	3000	6100	4	2550	26	500	500	3170	Yes

Contact us for upper capacities. The dimensions shown are indicative and can be modified without warning.